

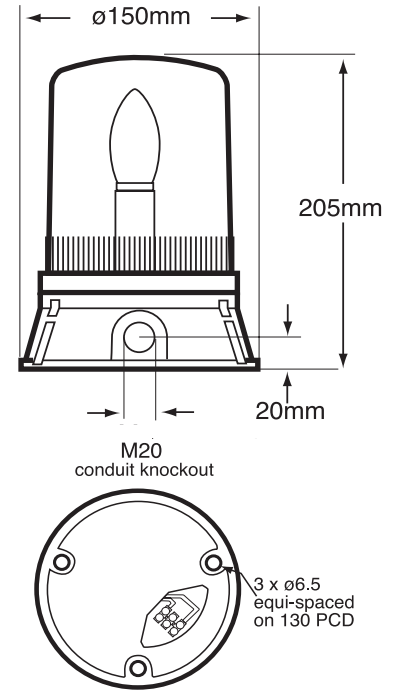


SF401/400-05/09



SF401-62/63

# Visual Signals STATIC FILAMENT BEACONS



## Industrial Static Filament Beacons > SF401/400 DIN Base Series

### Product overview

The SF401/400 series is suitable for security, process control and industrial applications where a more robust and powerful signal is required.

These beacons are of the Static mode type (single stage alarm). Once the beacon is energised the

Incandescent / halogen lamp will stay permanently on.

An advantage of this type of beacon is that it can be controlled via a remote source (ie. control panel / plc etc ) giving the beacon greater flexibility and offering a (flashing) second stage alarm. The design allows for termination inside the enclosure through the base.

### Features

- Continuously rated
- Suitable for surface or wall mounting
- Optional wall bracket & guard available - see accessories
- 3 point fix
- M20 conduit side entry or bottom cable entry
- 360° light output around the vertical axis
- 180° light output above the horizontal axis
- Dustproof and Weatherproof

### Material

UV Stable Polycarbonate Lens  
UV Stable ABS Plastic Base

## SF401/400 DIN Base Series > Ordering Information

Code No:	Voltage:	Light Source:	Current:
SF401-62	12v Ac/Dc ~	H1 x 55w	4.60 A
SF401-63	24v Ac/Dc ~	H1 x 70w	2.90 A
SF401-05	12v Ac/Dc ~	Ba15s x 48w	4.00 A
SF401-06	24v Ac/Dc ~	Ba15s x 48w	2.00 A
SF401-07	48v Dc ---	Ba15d x 35w	0.65 A
SF400-08	115v Ac ~	E14 x 60w	0.55 A
SF400-09	230v Ac ~	E14 x 60w	0.29 A

ADD THE FOLLOWING LENS CODES TO THE PRODUCT WHEN ORDERING



**Kg** 0.71

50/60 **Hz**

°C -25+55

**IP** 65

**INDUSTRIAL**

APPROVALS and  
CONFORMITIES

